



MAP1 IP Configuration

July 2021

Table of Contents

Introduction	3
PC Requirements.....	3
MAP1 Front View	4
Software IP Configuration Tool.....	4
USB IP Configuration Tool.....	7
IP Reset	12

Introduction

The MAP1 is factory set to DHCP mode when shipped and is recommended to leave it in DHCP mode. **First Access** software will automatically find all connected controllers in the local network. The MAP1 controller can optionally be set to a static IP address. Cansec provides a software utility called **MAP1 IP Configuration Tool** which scans the network for any connected MAP1 controllers and provides the option to change the IP addresses of the MAP1 controllers. The utility is downloadable from cansec.com/downloads.

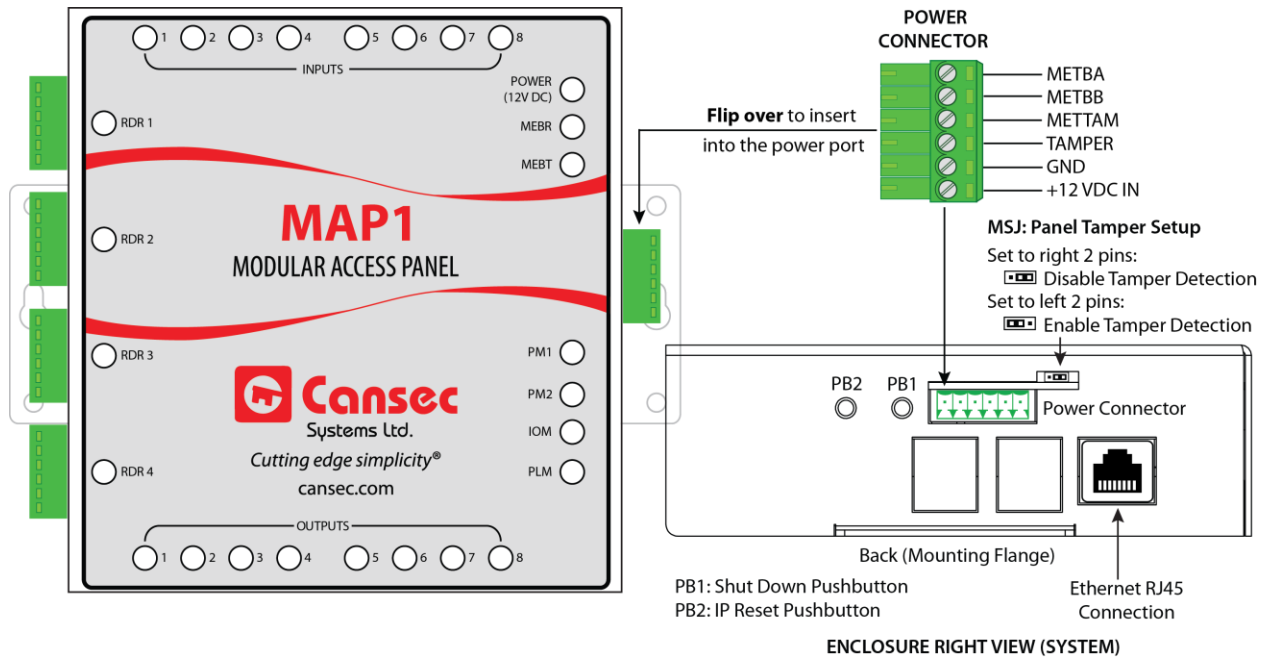
If there is no DHCP server present on the network, the **MAP1 IP Configuration Tool** is not applicable. However, the **USB IP Configuration Tool** can be used to configure the IP addresses of the MAP1 controllers.

Note: *The static IP address should be a valid address obtained from the IT department.*

PC Requirements

- All 32 and 64 bit versions of the following Windows Operating Systems: Windows 7[®], Windows 8[®], Windows 10[®], Windows 2008[®], Windows 2012[®] and Windows 2016[®]
- See Microsoft's web site for CPU, RAM and disk space requirements for the aforementioned operating systems
- Network adapter – If using **MAP1 IP Configuration Tool**
- A computer USB port – **If using USB IP Configuration Tool**
- A USB flash drive, formatted as FAT32 (most flash drives are formatted as FAT32) – **If using USB IP Configuration Tool**
- A text editor – **If using USB IP Configuration Tool**

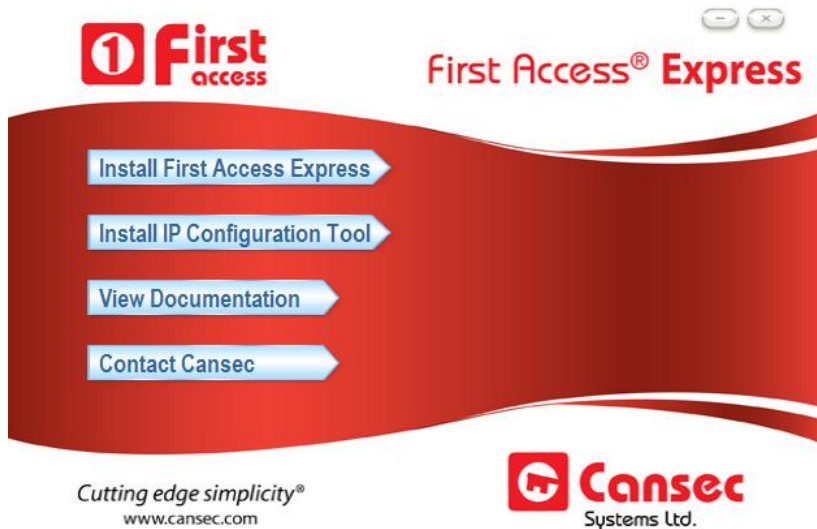
MAP1 Front View



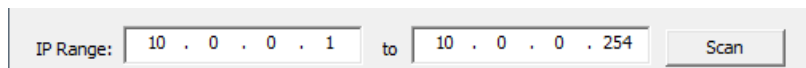
Software IP Configuration Tool

Note: The new controller is factory set to acquire an IP address automatically (DHCP mode enabled) and is highly recommended. If the IP address of the MAP1 controller needs to be set or reset to factory default, follow instructions below.

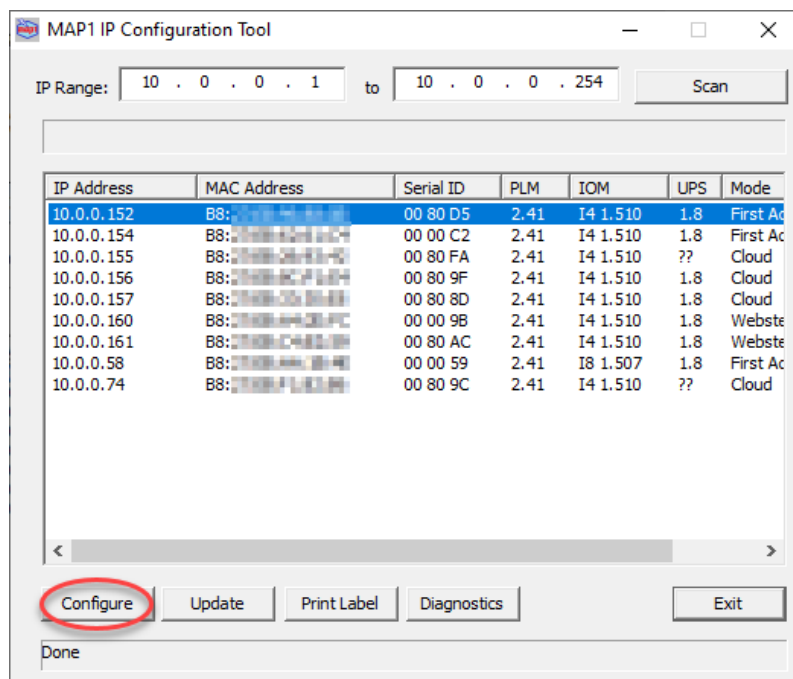
1. Power on and plug the MAP1 controller to the network with a DHCP server available.
2. Install and launch **MAP1 IP Configuration Tool** from your computer. This tool is available from the **First Access Express** software installation package, but also available as its own separate installation package which can be downloaded from www.cansec.com/downloads.



3. In most cases, the **IP Configuration Tool** will detect and display the default IP address range ready to be scanned. However, the IP address range can be manually modified accordingly.



4. Click **Scan** to scan the network for all possible connected MAP1 controllers.



5. Double click on one of the detected controllers or select it and click **Configure**. For static IP address setting unselect **Enable DHCP** and consult with IT personnel before entering the IP address, Subnet Mask, Gateway IP Address and Port numbers. Select **Enable DHCP** if static IP address is not required.

Note: The optional Trusted Host IP can be entered to instruct the controller to accept data connection (server port 5000) only from the host computer having the **First Access Express** software installed. Other connections for diagnosing and updating are not limited by this Trusted Host IP and can be connected from any host. If you have an old firmware, please contact Cansec support.

IP Configuration

Enable DHCP

IP Address: 10 . 0 . 0 . 152

Subnet Mask: 0 . 0 . 0 . 0

Gateway: 0 . 0 . 0 . 0

Trusted Host IP ⓘ 0 . 0 . 0 . 0

Server Port: (1024 to 65000) 5000

Diagnosis Port: (1024 to 65000) 5001

Update Port: (1024 to 65000) 5002

Default Port Numbers

Operating Mode: First Access

Host Name:

Host Port: 8765 1-65535

Host Retry Time: 300 60-300 Seconds

Use Cansec as current password for new unconfigured controller.

Current Password:

New Password: (Blank for no change)

Confirmed New Password:

Door Provision: 4

PLM Firmware Version: 2.41

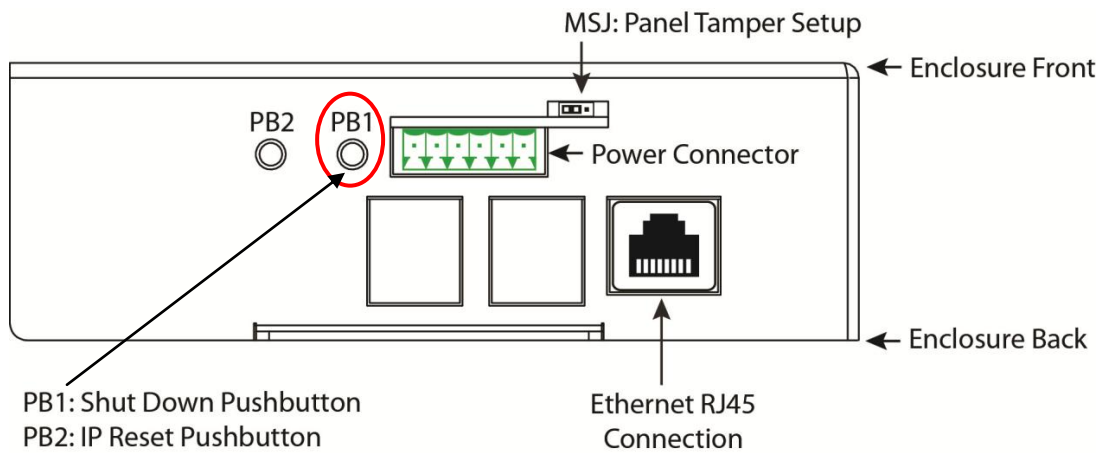
IOM Firmware Version: I4 1.510

Controller Time 17:35

Save Cancel

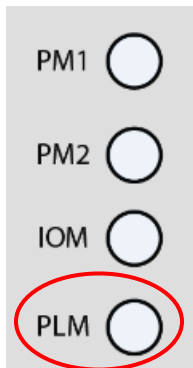
6. The factory default or current password for a new un-configured MAP1 controller is **Cansec**. The password must be changed to something else other than **Cansec**.
7. Click **Save**. The controller saves the new settings and reboots for the settings to take effect.

USB IP Configuration Tool



Important: Shutdown Push Button (PB1) must be used to avoid data corruption on the MAP1 controller.

1. If the MAP1 controller is powered on, press and hold the PB1 button, using a small screw driver or a paper clip, for a period of 5 to 8 seconds and proceed to step 2. Otherwise, proceed to step 4.
2. When the PLM LED on the front of the MAP1 controller begins a rapid flash, release the Shutdown PB1 button.



3. Wait until the MAP1 does a complete shutdown, indicated by all MAP1 LEDs going to the OFF state (except the Power LED) then unplug the power connector.
4. Insert a FAT32 formatted USB flash drive into an available USB connector on the MAP1 controller.

5. Insert the power connector into the MAP1 controller. The unit will begin the power up sequence which takes about 30 to 40 seconds. When complete, the MAP1 controller will beep indicating its mode e.g. **First Access**, **Webster** or **CloudACS**.
6. Remove the USB flash drive from the MAP1 controller.
7. Insert the flash drive into a USB port on a computer. When ready, launch Windows Explorer or File Explorer. Access the USB drive and edit the file named MAPCFG.txt



created by the MAP1 controller during boot-up sequence. If the file is not present, repeat from step 1. Otherwise proceed to step 8.

8. A similar file will be displayed when opened in Notepad.

```

MAPCFG - Notepad
File Edit Format View Help
;!!!!--> Model 3 <--!!!!!!
;NOTICE ---> DHCP IP configuration, Reconfigure to STATIC IP configuration
;
; DHCP IP configuration :
; Ip=172.15.30.101
; NetMask=255.255.255.0
; Gateway=172.15.30.1
; DNS server 0.0.0.0
; Ports are as indicated in the default Static IP config below
;
;EDIT Default Static IP configuration below
;
;!!!!!!!!!!!!!!!!!!!!!!!!!!!!!!!!!!!!!!!!!!!!!!!!!!!!!!!!!!!!!!!!!!!!!!!!!!!!!!
;
;-----
; Enter correct IP information below, then Delete the
; entire last line in this file, < USB INIT DONE >.
; This will force a re-configure using the new entered information.
; Caution: Do not add or delete any other lines
; Important : change entered password (Password cannot be Cansec)
;
;---> Current Default STATIC IP configuration from MAP1 SysCfg file information below:
;
[USBCFG]
Password=Cansec
Ip=0.0.0.0
NetMask=0.0.0.0
Gateway=0.0.0.0
SrvPort=5000
DiagPort=5001
UpdatePort=5002
HostPort=4070
Encryption=0
Authenticate=0
IpSecurity=0
ClientIp=0.0.0.0
HostName=cloudacs.com
HostRetryInterval=60
DhcpEnabled=1
Future=
< USB INIT DONE >

```


Key Section & Name	Value	Description
[USBCFG]	[USBCFG]	Key section – DO NOT change
Password	Cansec	Factory default password. Please modify to an appropriate password of your choice other than the default password.
IP	10.0.0.101	Factory default IP address. Please obtain a static IP address from IT personnel and fill it here.
Netmask	255.255.255.0	Factory default subnet mask. Please specify the subnet mask where the host computer is connected to.
Gateway	10.0.0.1	Factory default gateway. Please specify the gateway where the host computer is connected to.
SrvPort	5000	Factory default server port. You may change it or leave it as default.
DiagPort	5001	Factory default diagnostic port. You may change it or leave it as default.
UpdatePort	5002	Factory default update port. You may change it or leave it as default.
Encryption	0	For future use only.
Authenticate	0	For future use only.
IpSecurity	0	Specify if trusted host is enabled or disabled. 1=enabled, 0=disabled
ClientIp	0.0.0.0	The IP address of the host computer having the First Access Express software installed. If IpSecurity is enabled and ClientIp has a valid IP address specified then the MAP1 controller accepts data connection (SrvPort 5000) from only this host computer. Other connections on DiagPort 5001 and UpdatePort 5002 are not affected by this setting.
HostName	cloudacs.com	Applicable for Cloud based controller. The default hostname is cloudacs.com
HostRetryInterval	60	The default retry interval in seconds

		<i>when the controller is disconnected from the CloudACS server</i>
DhcpEnabled	1	<i>DHCP is enabled by default</i>
Future	blank	<i>For future use only.</i>
< USB INIT DONE >	< USB INIT DONE >	<i>Please remove this line after this file has been correctly modified. The MAP1 controller reads parameters in this file during boot up sequence and configures the IP address accordingly after which it will write <USB INIT DONE> to indicate that the initialization has been done.</i>

9. Obtain all IP address information from IT personnel and modify the file accordingly. Remove the line <USB INIT DONE> and save the file before removing it from your computer.

10. Repeat from step 1 to step 6 then proceed to step 11.

11. Insert the flash drive into a USB port on a computer. When ready, launch Windows Explorer or File Explorer. Access the USB drive and check if there is an error file



present along with the file

12. If no error file is present skip this step and proceed to step 13. Otherwise edit the error file and review the errors indicated. Correct the errors in the MAPCFG.txt accordingly and save it before removing it from the computer. Repeat step 1 to 6 then proceed to step 11. See sample error file below.

```
UsbCfg MAP1 Startup
USBCFG, Version 1.0, 04-20-21 21:35:42
Mount point created --usbdrive --success
USBCFG, Version 1.0, 04-20-21 21:35:42
Drive mounted as usbdrive -- success
USBCFG, Version 1.0, 04-20-21 21:35:42
Static ip path -MAPCFG.txt found on USB drive --proceeding
USBCFG, Version 1.0, 04-20-21 21:35:42
Parsing data in MAPCFG.txt
USBCFG, Version 1.0, 04-20-21 21:35:42
< USB INIT DONE > not found
USBCFG, Version 1.0, 04-20-21 21:35:42
Parsing data in MAPCFG.txt
USBCFG, Version 1.0, 04-20-21 21:35:42
Reached End of Config data
USBCFG, Version 1.0, 04-20-21 21:35:42
MAPCFG.txt correct data
USBCFG, Version 1.0, 04-20-21 21:35:42
UpdatePort must be >1025 and < 65535
USBCFG, Version 1.0, 04-20-21 21:35:42
MAPCFG.txt range check error -- exiting
```

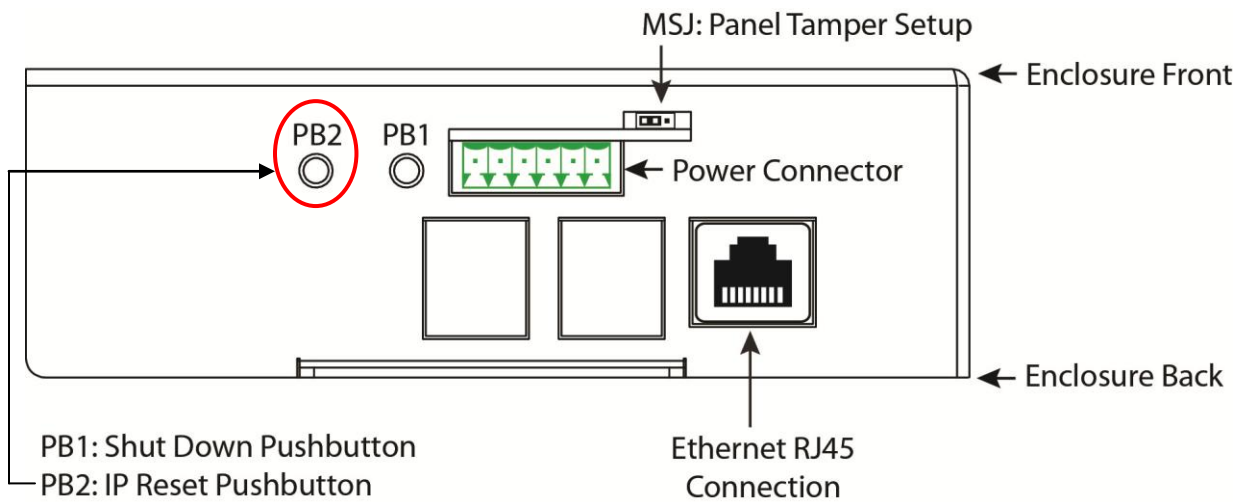
13. If no error file is present, it is recommended that the file MAPCFG.txt



be reviewed to ensure that the line *<USB INIT DONE>* has been written by the MAP1 controller indicating that the IP configuration has been successfully saved and initialized.

14. A file named SysInf.txt is also present. This file contains critical information if debugging is required. If this file is not present it is recommended that the controller be updated with the latest firmware.

IP Reset



Note: Optional method to reset IP address of MAP controller to factory default.

1. If the MAP1 controller is powered on, proceed to step 2. Otherwise, insert the power connector into the MAP1 controller. The unit will begin the power up sequence which takes about 30 to 40 seconds. When complete, the MAP1 controller will beep indicating its mode e.g. **First Access**, **Webster** or **CloudACS**.
2. Press and hold the IP reset button (PB2) until the MAP1 controller sounds with a continuous beep. Release the IP reset button and the MAP1 will re-boot. During reboot the MAP1 controller resets itself to obtain an IP address automatically (DHCP mode enabled) and erases any previous static IP address settings. Default password will also be reset to Cansec.

Note: *If a USB drive is present during reboot, the MAP1 controller will look for the file named MAPCFG.txt and extracts IP settings parameters to configure its IP address information accordingly. If the file is not present, the MAP1 controller will create a template file named MAPCFG.txt with factory default parameters. If no USB drive is present the MAP1 controller will continue with its reboot sequence.*

® First Access is a registered trademark of Cansec Systems Ltd.

® Windows is a registered trademark of Microsoft Corporation in the United States and/or other countries.