



TruckStop Express

INSTALLATION MANUAL

April 2012

Table of Contents

Introduction	4
Warranty	4
Specifications	5
Guidelines	6
Controller Wiring	8
• Electric Engines	8
• Internal Combustion Engines.....	9
Reader Wiring	10

© Copyright 2012 Cansec Systems, Ltd.
All rights reserved.

Introduction

TruckStop Express is an equipment-control system designed to prevent untrained and unauthorized personnel from using lift trucks. In addition, it provides a means to hold operators accountable for the manner in which lift trucks are used. The system consists of an access key reader, operator access keys, a truck control unit, TruckStop Express software and programming key and adapter.

NOTE: Factory Default Mode

The TruckStop Express controller is shipped in the factory default mode. When the Cansec iButton reader is attached it will indicate the factory default mode in the following manner: the LED indicator flashes red and green continuously and the BEEPER beeps continuously. This is normal, and is the indication that the user is required to initialize the unit for their setup. For a complete description of LED and BEEPER indicators, please see the *Truck Stop Express Operator Guide*.

Warranty

Controller:One Year
Reader/Keys:Lifetime

Specifications

Power Requirements: 12 VDC to 48 VDC

Ignition/Run Circuit Current:..... 10 A maximum
30 VDC maximum for resistive loads of 10 A

Controller Current Draw: 40 mA minimum
100 mA maximum

Cables:

- Controller 5 x 16 AWG, 2.7 m (9') long
- Reader 6 conductors, 22 AWG, 2.7 m (9') long

Controllers Supported: 255 TruckStop Express Units

Reader Type: iButton®

Operator Keys per Controller: 100

Time Stamped Audit per Controller: 100

External Automotive Relay (supplied): 12 VDC, 40 A
SPST, 1 Form "A"

Dimensions:

- Controller 113 mm x 126 mm x 44 mm
(4 7/16" x 4 15/16" x 1 3/4")
- Reader 44 mm x 114 mm x 28 mm
(1 3/4" x 4 31/64" x 1 7/64")

Weight: 840 g (1.85 lbs)

Operating Temperature:..... -20 °C to 70 °C (-4 °F to 158 °F)

Environment: Indoor/Outdoor

Guidelines

ENGINE SPECIFICATIONS

TruckStop Express is compatible with both internal combustion and electric engines. Refer to the lift truck's specifications. You will need to know the type of engine, wiring diagrams, and any associated information. Wiring information for internal combustion and electric engines can be found in the Controller Wiring section.

BATTERY SPECIFICATIONS

TruckStop Express was designed to work in vehicles with a battery in the range of 12 VDC to 48 VDC. Before installation, measure the voltage of the battery on the lift truck to make sure it meets TruckStop Express specifications.

To avoid damaging the electrical system during the installation, disconnect the negative (-) battery terminal before you begin the installation.

NOTE: If you are controlling a 10 A resistive load operating over 30 VDC, consult the manufacturer, as an external relay may be required.

INSTALLATION

Securely mount the back-box/reader in an easily accessible location. Install the controller in a suitable location that will not obstruct operation of the lift truck. Do not obstruct the following:

- mechanical operation of the lift
- lift truck controls
- operator mobility

WIRING

Route all wires so that they will not come in contact with any moving, sharp, or protruding parts and/or areas of high temperature. Extra precaution must be taken in these instances. Secure all wires with cable clamps, cable ties or adhesive tape.

- **RED** wire is for powering TruckStop Express. Connect to the positive terminal of the battery.
- **BLACK** wire will be connected to ground.
- **BROWN** wire, when powered, enables the controller to read keys. This wire should **NOT** be wired to the seat switch, dead-man switch, kill switch or the accessory circuit.
- **BLUE** wires connect the battery to the ignition/run circuit via internal relay upon presenting a valid user key. The current rating through this relay is 10 A @ 30 VDC max. If the current through the ignition/run circuit on the vehicle surpasses 10 A @ 30 VDC, a suitable external relay must be supplied by the customer.

Connect the reader's six-pin connector to the coloured wires on the **GREY** cable (supplied by Cansec). Plug the connector onto the header on the reader in the correct orientation. Place the reader onto the back-box ensuring the wires are not pinched between the reader/back-box and that the wires are clear of the two standoffs inside the back-box. When the reader is in position, fasten it to the back-box with the two screws provided. See the Reader Wiring section for more details.

NOTE: You cannot connect TruckStop Express directly to an AC (alternating current) source. In the instance where you are connecting TruckStop Express to AC controlled stationary equipment, the installation must be done by a licensed electrician who will determine what additional electrical equipment is required.

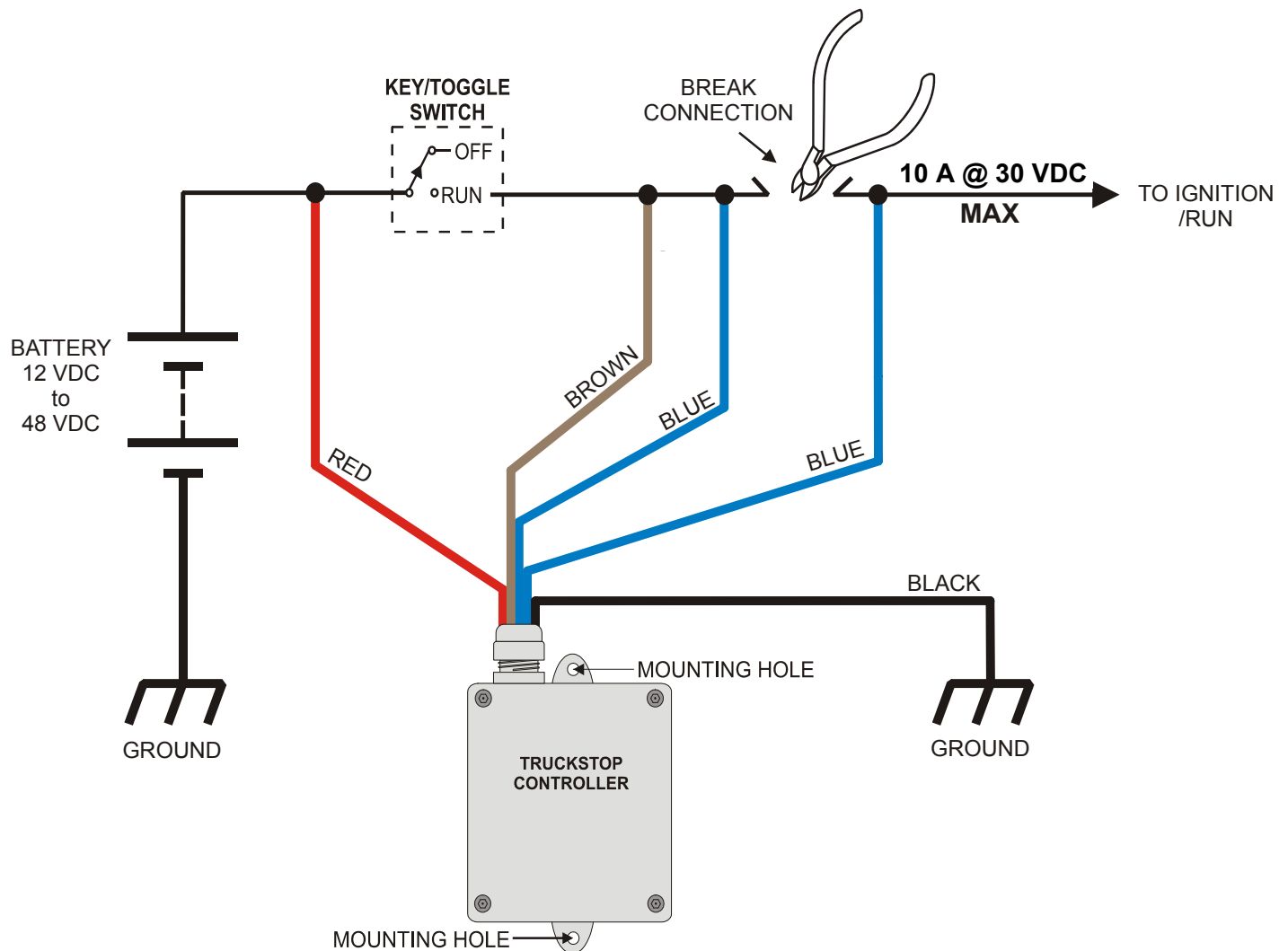
Controller Wiring

ELECTRIC ENGINES

!! IMPORTANT !!

Do **NOT** wire the TruckStop Express controller into the seat switch, dead-man switch, kill switch or accessory circuit.

If the current to the ignition/run circuit exceeds 10 A @ 30 VDC, a suitable external relay must be supplied by the customer.



INTERNAL COMBUSTION ENGINES



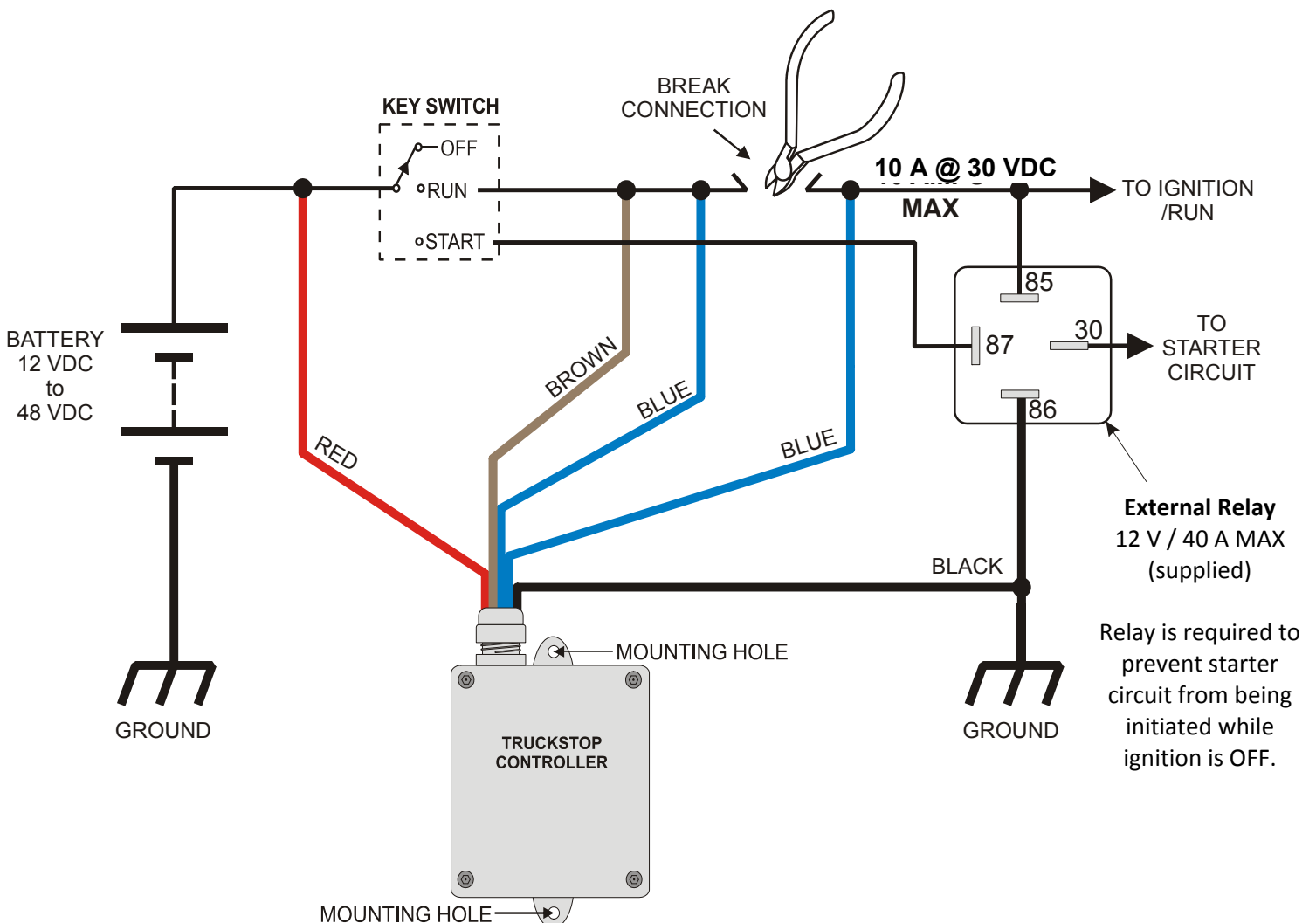
!! IMPORTANT !!



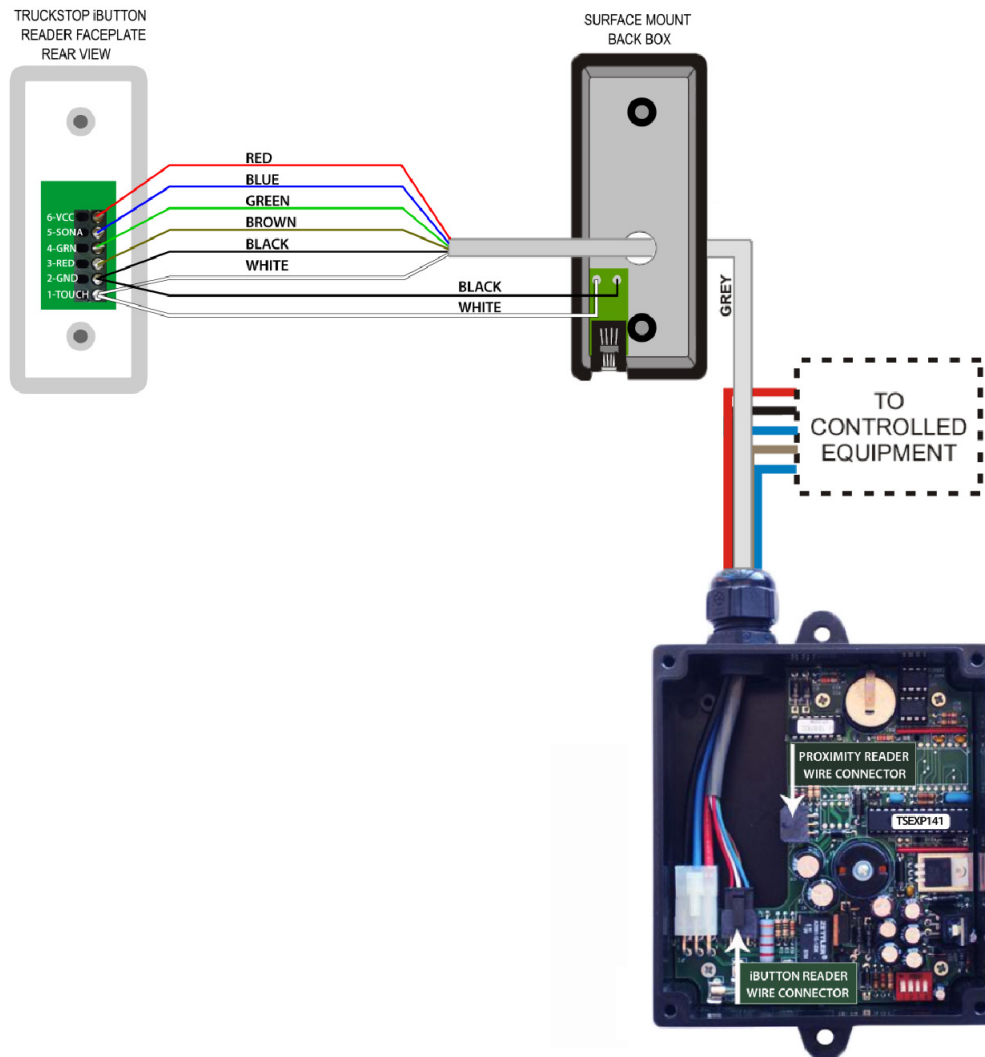
Do **NOT** wire the TruckStop Express controller into the seat switch, dead-man switch, kill switch or accessory circuit.

If the current to the ignition/run circuit exceeds 10 A @ 30 VDC, a suitable external relay must be supplied by the customer.

If the current to the starter circuit exceeds 40 A, the supplied external relay must be replaced by a suitable external relay supplied by the customer.



Reader Wiring



® iButton is a registered trademark of Maxim Integrated Products, Inc.