

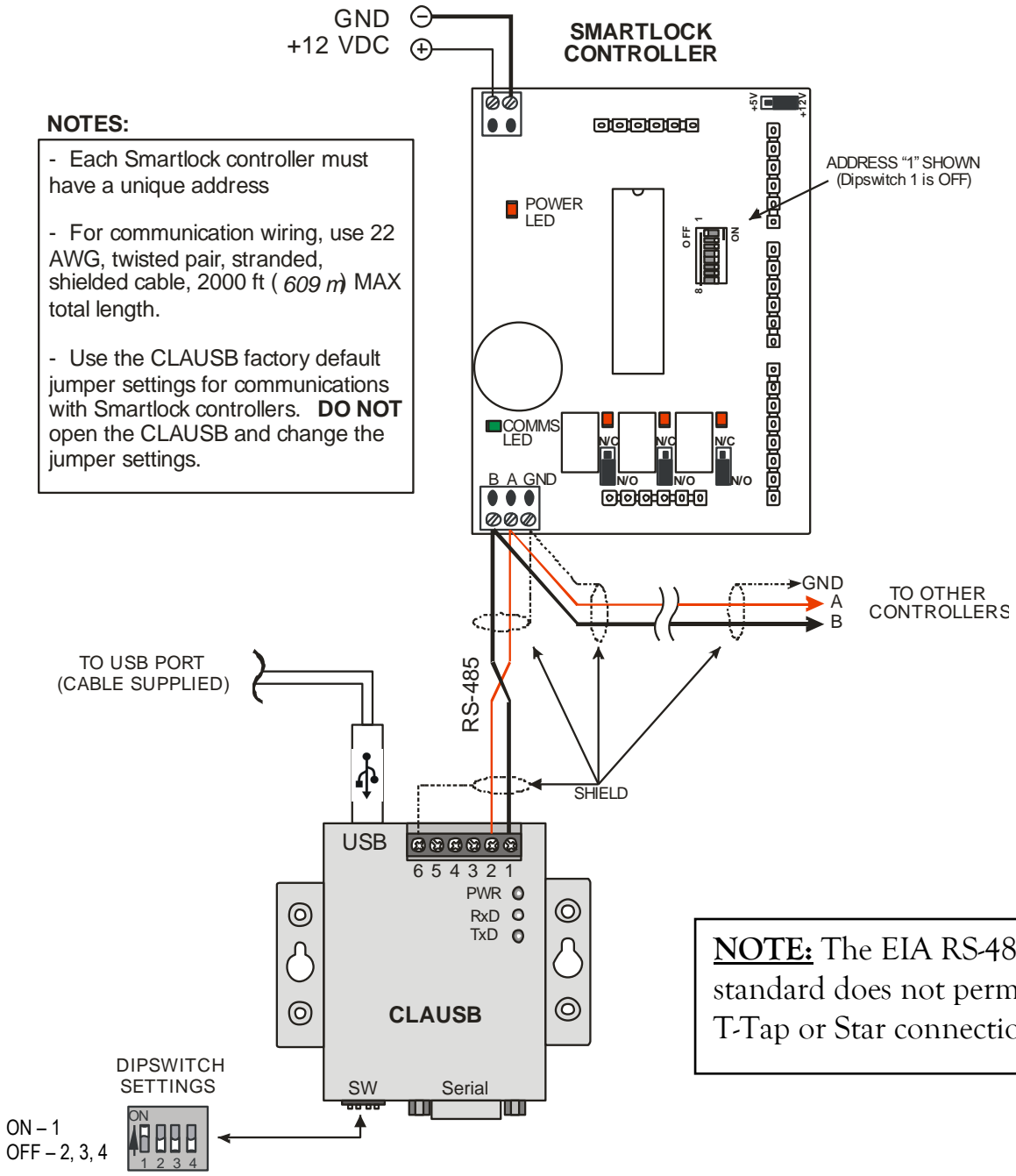
CLAUSB

COMMUNICATIONS WIRING

TO SMARTLOCK CONTROLLER

NOTES:

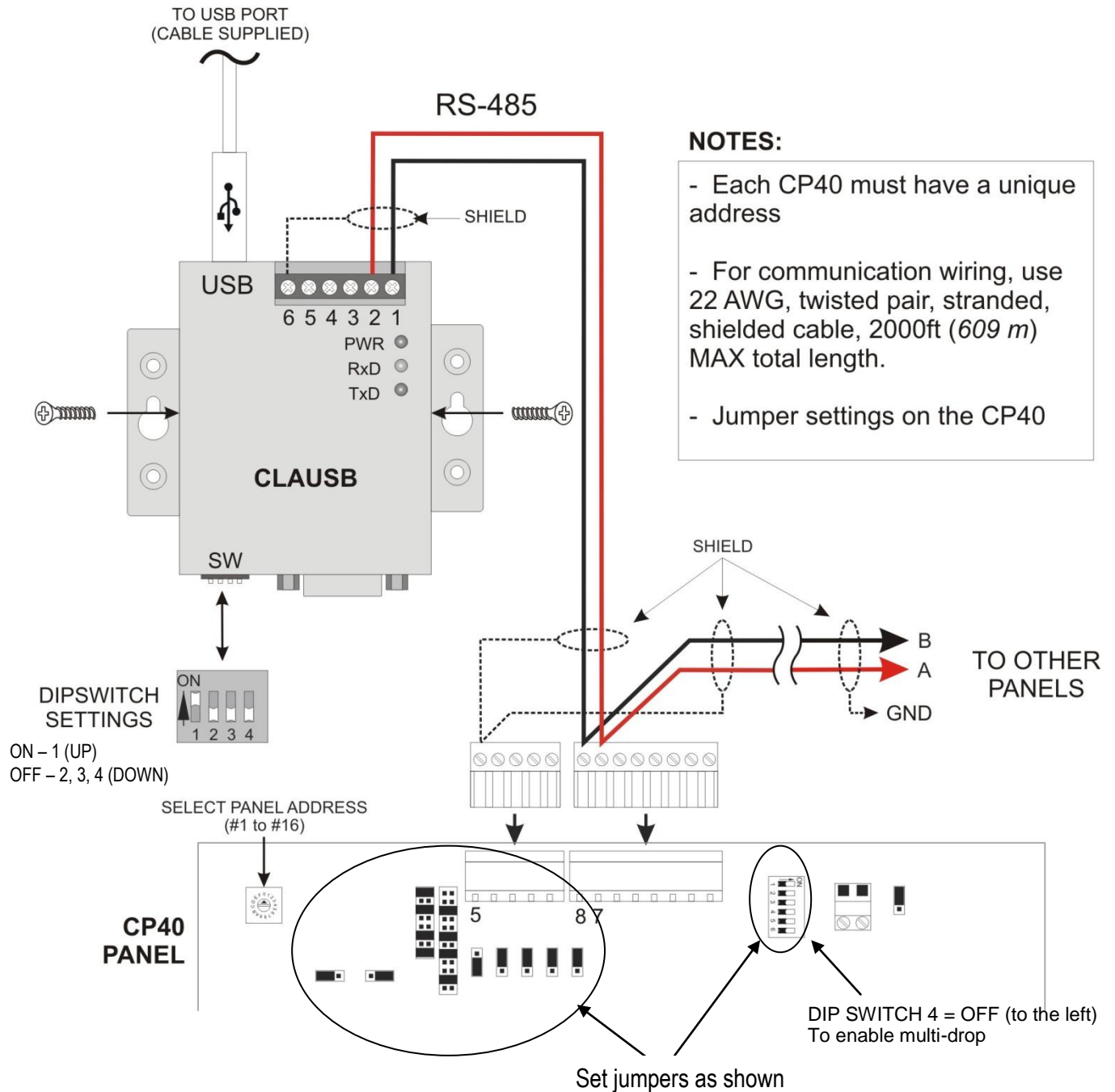
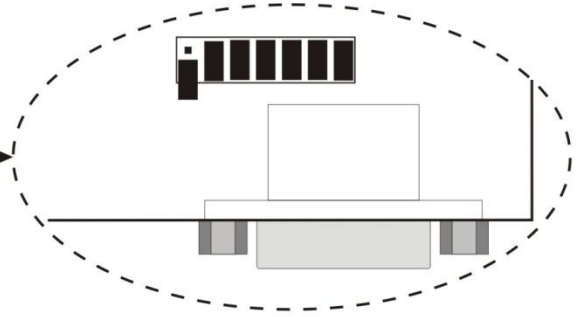
- Each Smartlock controller must have a unique address
- For communication wiring, use 22 AWG, twisted pair, stranded, shielded cable, 2000 ft (609 m) MAX total length.
- Use the CLAUSB factory default jumper settings for communications with Smartlock controllers. **DO NOT** open the CLAUSB and change the jumper settings.



NOTE: The EIA RS-485 standard does not permit T-Tap or Star connections.

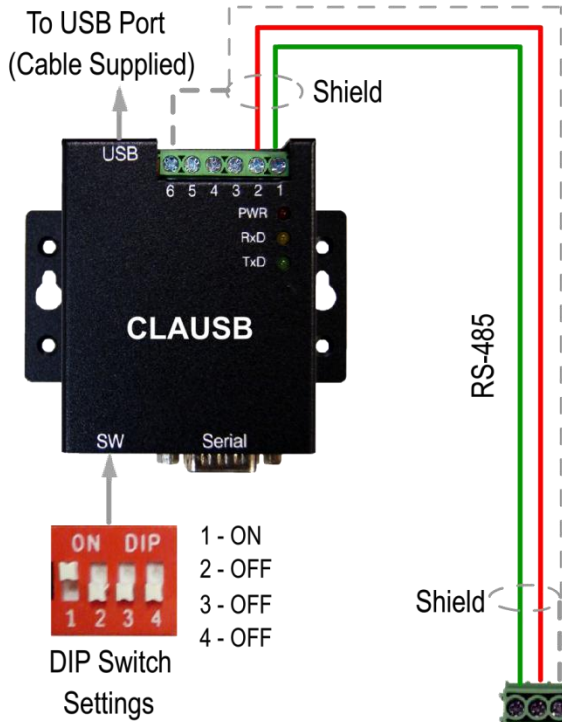
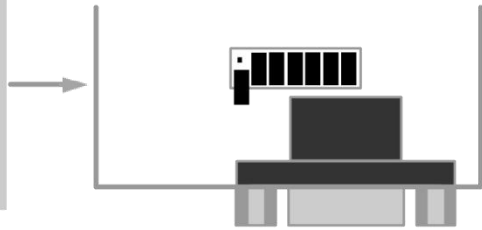
TO CP40 CONTROLLER

To communicate with CP40 panels, open the CLAUSB communications line driver by removing the two screws and change the jumper settings as shown to the right.



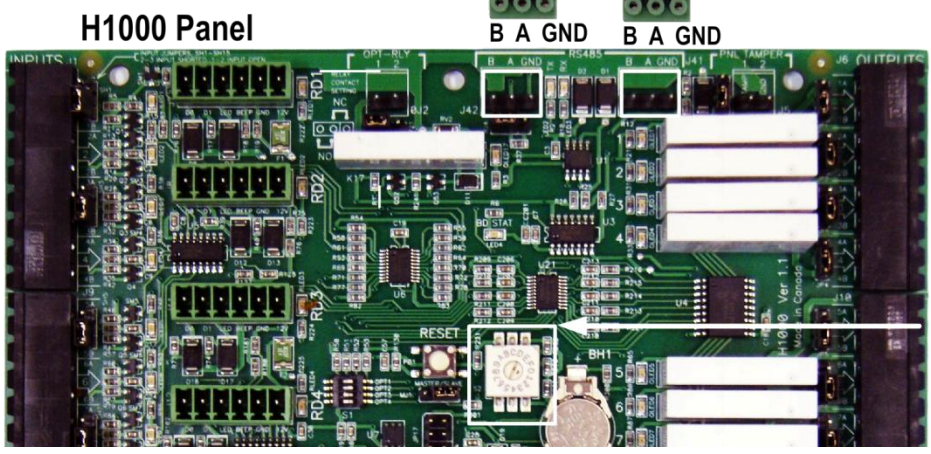
TO H1000 CONTROLLER

To communicate with H1000 panels, open the CLAUSB communications line driver housing by removing the two screws. Change the jumper settings as shown to the right. Reassemble the unit.



NOTE:

- Each H1000 must have a unique address
- For communication wiring, use 22 AWG, twisted pair, stranded, shielded cable, 2000ft (609 m) MAX total length



NOTE: The EIA RS-485 standard does not permit T-Tap or Star connections.