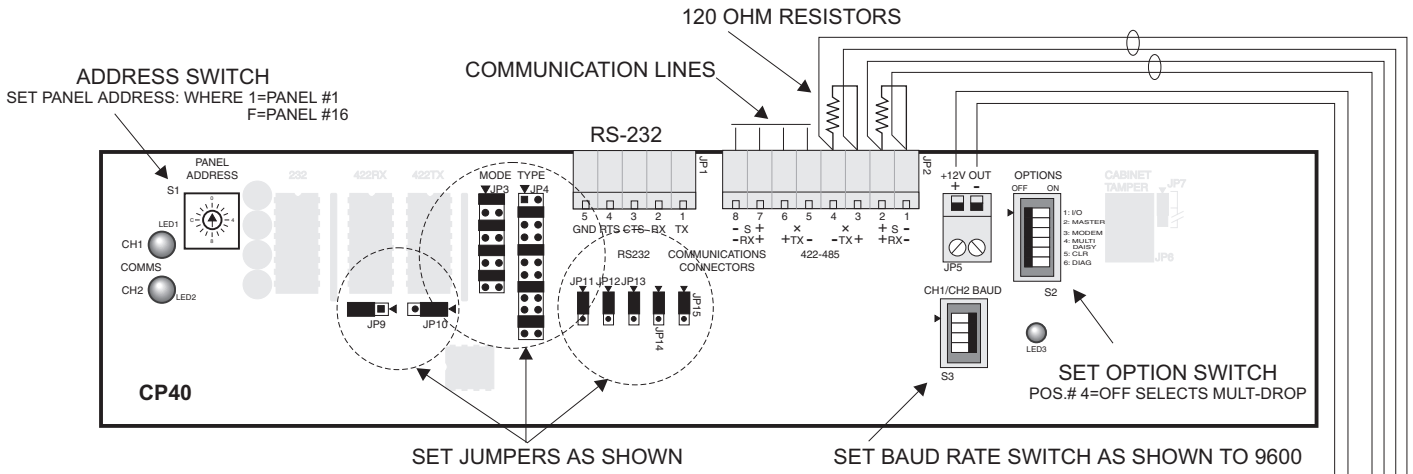
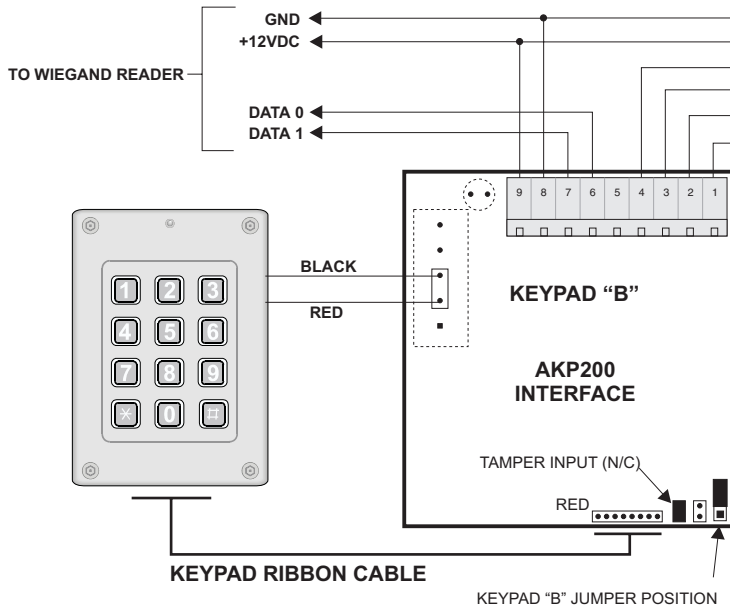
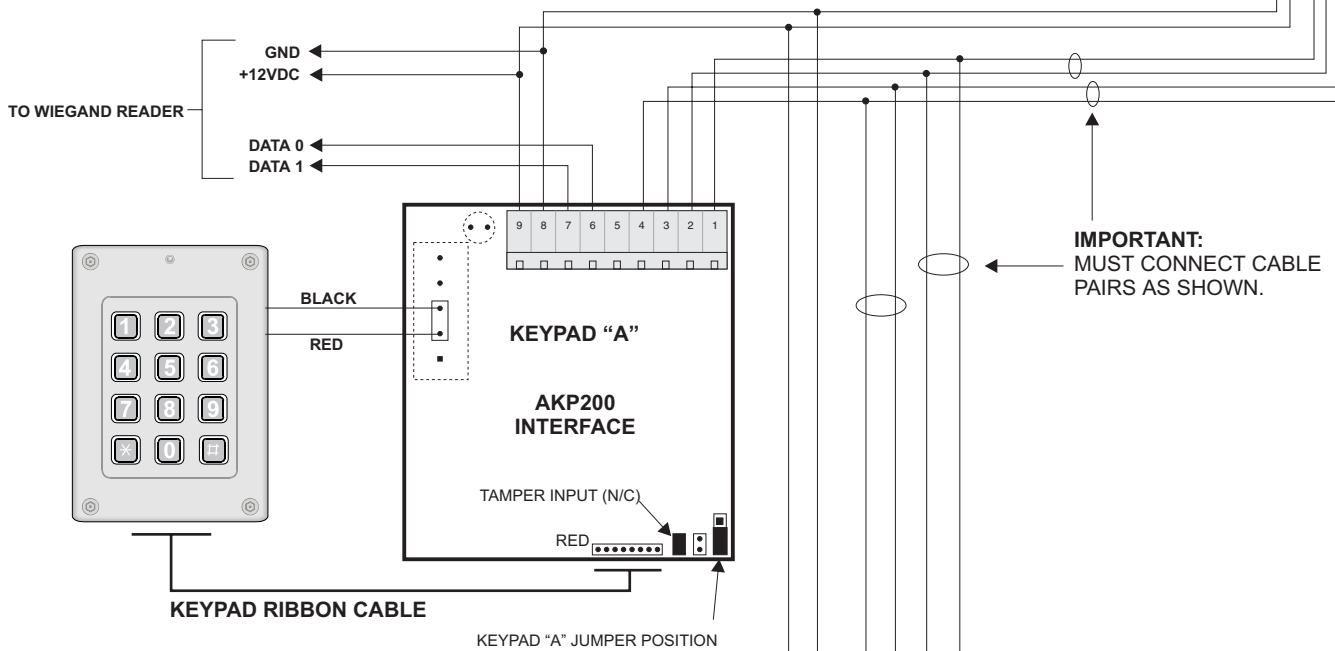


AKP-200 INTERFACE BOARD WITH WIEGAND COMPATIBLE READER



■ NOTE: BLACK NOTCH REPRESENTS SWITCH POSITION



NOTES:

AKP CAN ONLY BE CONNECTED IN A RS-422 MULTI-DROP CONFIGURATION

CP40 MUST BE FITTED WITH KEYPAD FIRMWARE.

BEEPER AND SONALERT ARE CONTROLLED ON KEYPAD, NOT READER.