



Keypad

INSTALLATION INSTRUCTIONS

February 2019



Cutting edge simplicity

Table of Contents

Introduction.....	3
Specifications	4
WEK200, WEK200L and WEK Board	5
• WEK200.....	5
• WEK200L.....	5
• WEK Board	6
Wiring	6
• WEK Board	6
• WEK200.....	7
• WEK200L.....	8
Programming the System Code.....	9
Keypad Usage.....	9

© 2008 - 2019 Cansec Systems Ltd.
All rights reserved.

Introduction

Cansec's Wiegand Emulating Keypad emulates standard 26-bit or Cansec 37-bit Wiegand format by allowing users to use an existing access user ID as a Personal Identification Number (PIN). A site code can be programmed into the keypad via the number pad.

There are two models of Keypad: Heavy Duty (WEK200) and Light Duty (WEK200L). The WEK200 faceplate and keys are made of stainless steel to withstand harsh use. The WEK200L faceplate and keys are made of durable plastic - a more cost effective option for lighter uses. Both keypads are sealed against dust and resistant against water damage.

NOTE: Tech Support will only be provided where product installation guidelines have been followed.

Specifications

Warranty.....	one year
Operating Voltage.....	5 to 14 VDC
Current Draw.....	50 mA max
Output Format.....	26-bit & Cansec 37-bit Wiegand
Operating Temperature	
WEK200:	-40°C to 70°C (-40 °F to 158 °F)
WEK200L:	-10°C to 70°C (14°F to 158°F)
Dimensions	99.5 mm (w) x 118.5 mm (h) x 8 mm (d) [(3.92 in (w) x 4.67in (h) x 0.31in (d)]
Weight	
WEK200:	approx. 450 g (15.9 oz)
WEK200L:	approx. 88 g (3.1 oz)
Colour	
WEK200:	silver (stainless steel)
WEK200L:	black (plastic)
Casing	
WEK200:	chromed die-cast zinc
WEK200L:	general-service polymer
Mounting	single-gang electrical box
Environment	indoor; outdoor
Rated IP	
(65) WEK200:	water/dust-sealed (when mounted to suitable enclosure)
(54) WEK200L:	water/dust-sealed (when mounted to suitable enclosure)
LED	bi-colour standard (red, green)
Beeper	standard
Cable.....	7 conductors, 22 AWG, stranded overall shield for 1 line LED and sonalert control 150 m (500 ft) max length to controller

**Specifications subject to change without notice.*

WEK200, WEK200L and WEK Board

WEK200



FRONT



BACK

WEK200L

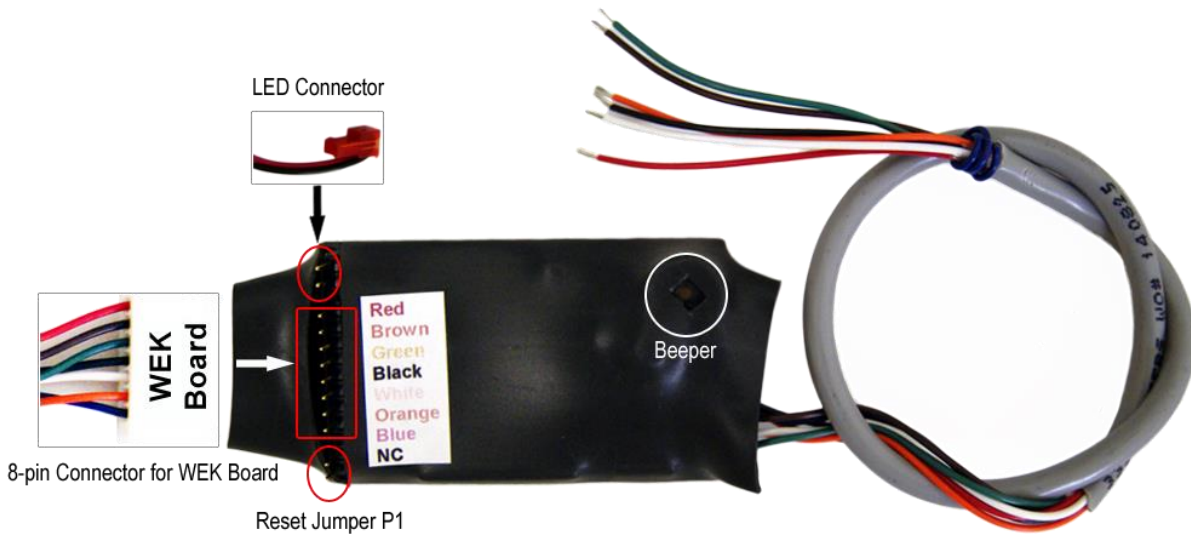


FRONT



BACK

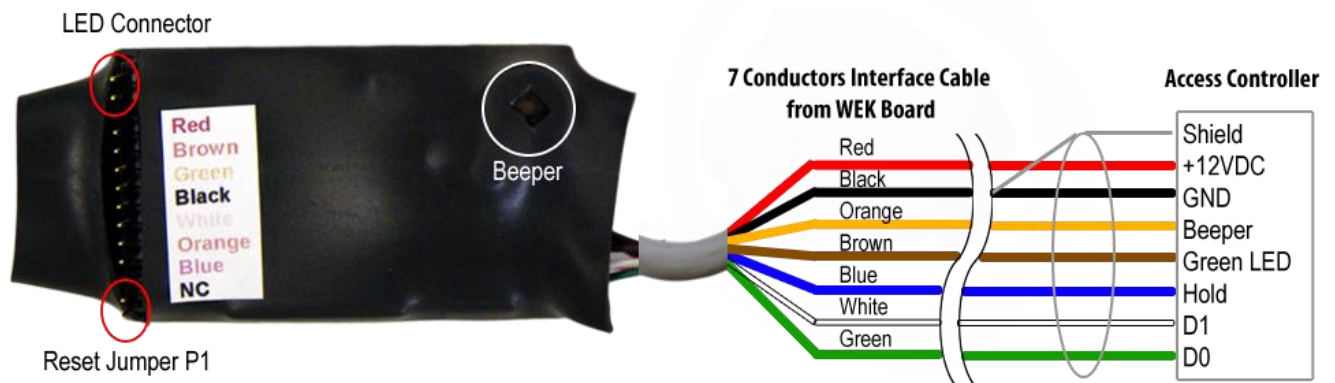
WEK BOARD



Wiring

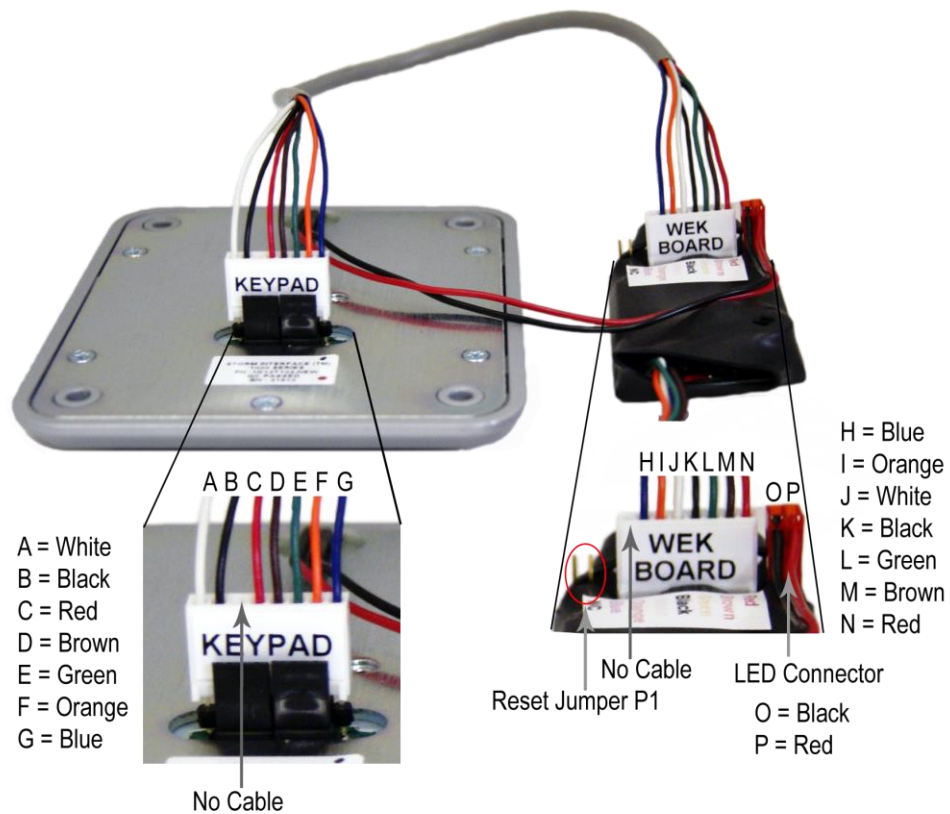
WEK BOARD

The image below shows the wiring colours and the orientation of the seven (7) conductors interface cable from the WEK board to the access controller.



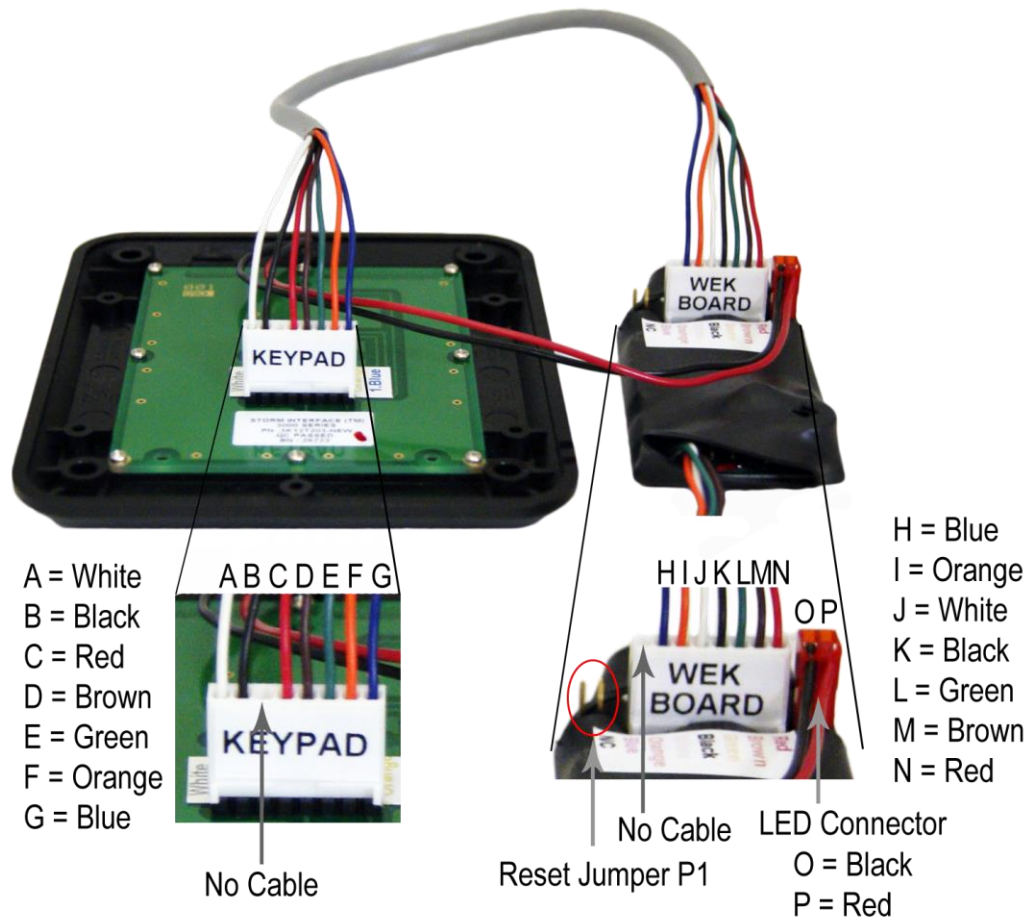
WEK200

The image below shows the wiring colours and the orientation of the connectors with respect to the WEK200 keypad and the WEK board.



WEK200L

The image below shows the wiring colours and the orientation of the connectors with respect to the WEK200L keypad and the WEK board.



Programming the System Code

IMPORTANT:

1. The pound sign (#) must be entered after a system code is entered or else all inputs are ignored.
2. For 26-bit Wiegand output, enter a number from 0 to 255 followed by the # key and a long beep will sound.
3. For 37-bit Wiegand output (Cansec proprietary format), enter a number from 256 to 32767 followed by a # key and a long beep will sound.
4. The LED indicator should now turn solid **RED** and the programming is finished.

NOTE: The unit comes from Cansec in factory default mode (LED flashing **RED** and **GREEN**) without a programmed system code.

If for some reason, the unit is not flashing **RED** and **GREEN** (it is not in factory default mode), temporarily short the two pins (jumper P1) with pliers or a screw driver. This will reset the unit to factory default mode and the unit will begin to flash **RED** and **GREEN**. Follow steps 1 through 3 to program.

Keypad Usage

Keypad usage: enter a PIN number between 1 and 65534 follow by “#”