

# MAP1

Cutting edge simplicity®

## MODULAR ACCESS PANEL FOR APERIO WIRELESS LOCKS



### ACCESS CONTROL AS A SERVICE

- 100,000 users - 2048 locks
- Subscription based
- No software to install
- Managed via browser from anywhere



### CLIENT-SERVER SOFTWARE

- 100,000 users - 2048 locks
- Windows based
- Up to 10 First Access clients
- Automatic panel discovery



### EMBEDDED WEB SERVER

- 5,000 users - 8 locks
- No software to install
- Built-in web server
- Managed via browser

## One panel, *three solutions*

The MAP1 Modular Access Panel is totally self-contained and puts support for 8 wireless locks and 100,000 users in the palm of your hand. It utilizes a powerful quad core processor, is network ready and contains 27 status LEDs making it simple to commission and maintain. The MAP1 is factory provisioned for 2, 4, 6 or 8 locks and can be field upgraded by simply purchasing a new provisioning code. When you are ready to upgrade, all you will have to add is wireless locks. You only pay for what you need!

There are many benefits to using the same MAP1 building block for Cloud Lock, First Access or Webster. One of the biggest is that users can easily move between solutions as their needs change. If you start with a small Webster system and outgrow it, you can easily migrate to Cloud Lock or First Access. If you no longer require the capacity or functionality of a Cloud lock or First Access solution, you can easily downgrade to Webster. No other access control manufacturer can offer this kind of future proofing.



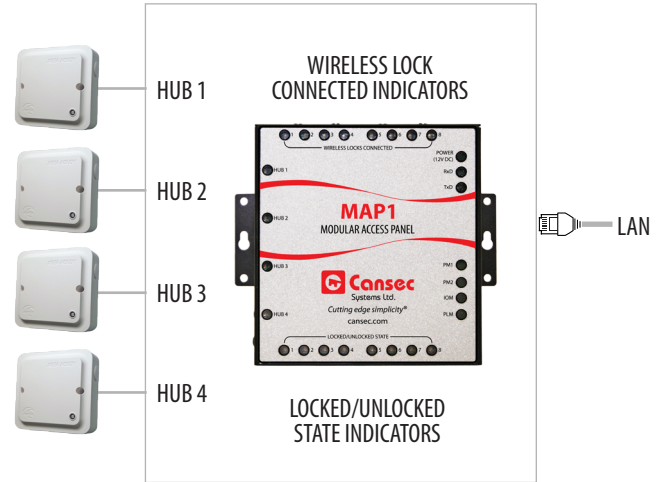
# MAP1

## MODULAR ACCESS PANEL FOR APERIO WIRELESS LOCKS

### FEATURES

FEATURES*	MAP1 (MODULAR ACCESS PANEL)
Wireless Locks	2 / 4 / 6 / 8
AH30 Hubs	4
Onboard Network TCP/IP	Yes
Self-contained	Yes
Audit Buffer (transactions)	10,000
Facility Codes (FC)	Unlimited
Card Capacity	100,000 with any FC or ID
Multiple Credentials Per User	Yes - 5
Binary Wiegand Support	<b>ANY</b> format up to 64 bits
37-bit Cansec Support	Yes
26-bit Support	Yes
Corporate 1000 - 35/48-bit	Yes
Onboard Auto Void/Validate	Yes
Schedule Time Resolution	1 min
Access Schedules	256
Unlock Schedules	4
Output Schedules	8
Shunt Schedules	8
Manual Shunt	Yes
Scheduled Commands	Yes
Low 12V DC Power Warning	Yes

### TYPICAL CONFIGURATION



\*NOTE: Not all features and capacities are supported on all solutions.

### SPECIFICATIONS

<b>Dimensions</b>	4.624" (L) x 4.88" (H) x 2" (D) [117 mm (L) x 124 mm (H) x 51 mm (D)]
With Mounting Flange	5.625" (L) x 4.88" (H) x 2" (D) [143 mm (L) x 124 mm (H) x 51 mm (D)]
<b>Weight</b>	500 g [17.6 oz]
<b>Temperature</b>	0°C to 60°C [32°F to 140°F]
<b>Power</b>	12 VDC / 300 mA (Excluding Readers & Locks)
<b>Warranty</b>	5 years



### PART NUMBERS

CA-MAP12A\_ (2-Door Configuration)  
 CA-MAP14A\_ (4-Door Configuration)  
 CA-MAP16A\_ (6-Door Configuration)  
 CA-MAP18A\_ (8-Door Configuration)

"\_" replaced with:  
**F** - First Access  
**C** - Cloud Lock  
**W** - Webster



Cansec Systems Ltd. | 3105 Unity Drive | Unit 9 | Mississauga | Ontario | L5L 4L2 | Canada

T (905) 820-2404 F (905) 820-0301 TF 1.877.545.7755

cansec.com