



CanProx One

INSTALLATION INSTRUCTIONS

(Reader)



Cutting edge simplicity

October 2015

Table of Contents

Introduction	3
Specifications	3
Reader Wiring	4
Wall Mounting	4
Mullion Mounting	5
Removing the Reader Cover.....	6
Troubleshooting	6

Introduction

The CanProx One proximity reader is mullion mountable and includes an adapter plate for wall mounting. Works with 125 kHz HID and AWID credentials.

NOTE: Tech Support will only be provided where product installation guidelines have been followed.

Specifications*

Description: CanProx One multi-mount proximity reader
Compatible with both AWID and HID

Warranty: Limited lifetime warranty against defects in material and workmanship

Operating Voltage: 5 to 14 VDC

Current Draw: 5 mA min., 45 mA typical, 80 mA max.

Output Format: 26-bit & 37-bit Wiegand

Frequency: 125 kHz

Range: up to 5" (varies with reader voltage and credentials)

Operating Temp: 40 °C to 65 °C (40 °F to 149 °F)

Dimensions:

Wall Mount: 70mm (w) x 115mm (h) x 23mm (d) [2.8 in (w) x 4.5 in (h) x 1.0 in (d)]

Mullion Mount: 40mm (w) x 98 mm (h) x 17mm (d) [1.6 in (w) x 3.9 in (h) x 0.7 in (d)]

Weight: approx. 85 g (3 oz)

Colour: Flat black

Housing: High impact ABS

Mounting: Wall or mullion

Environment: Indoor/outdoor

Rated IP 67: Sealed against dust; protection against powerful water jet

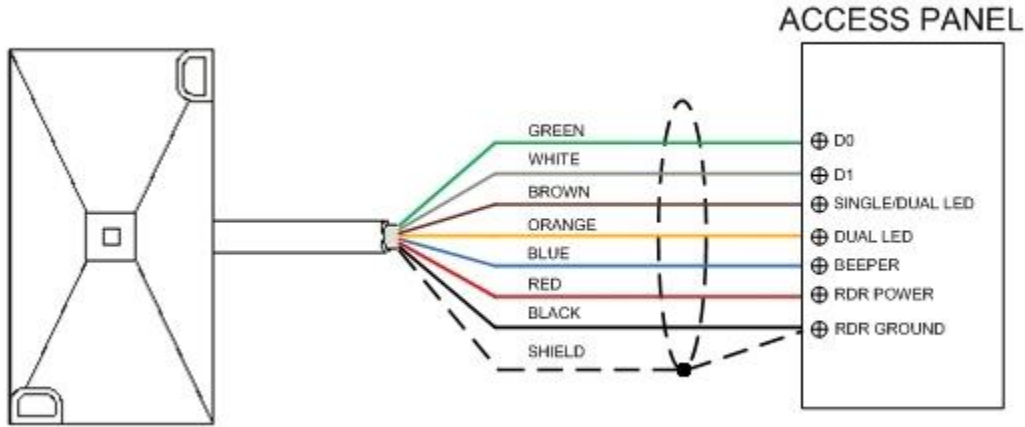
LED: Four-state (red, green, amber, off)

Beeper: Standard

Cable: up to 7 conductors, 22 AWG, stranded, overall shield; 150 m (500 ft) max length

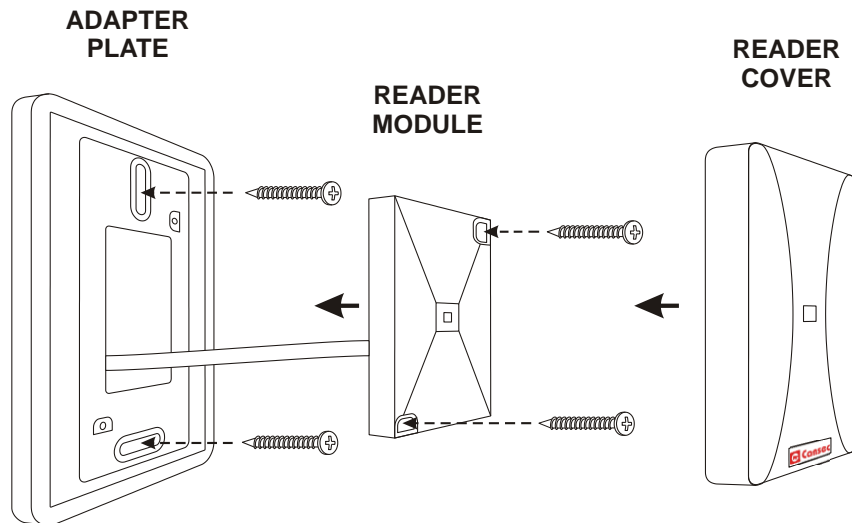
*Specifications subject to change without notice

Reader Wiring



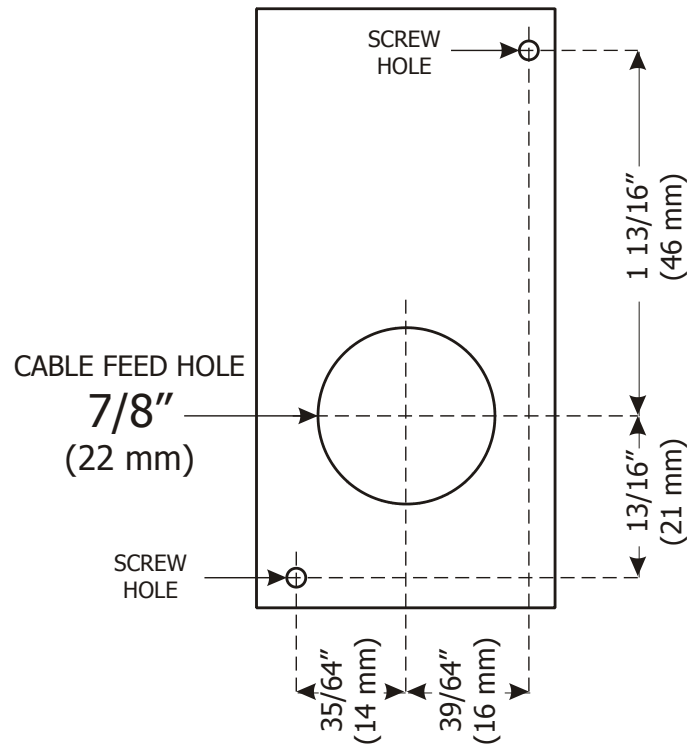
Wall Mounting

1. Screw the adapter plate to a standard single gang electrical box.
2. Wire the CanProx P300 reader module to the access control panel. Screw the reader module to the adapter plate.
3. Snap the reader cover on.

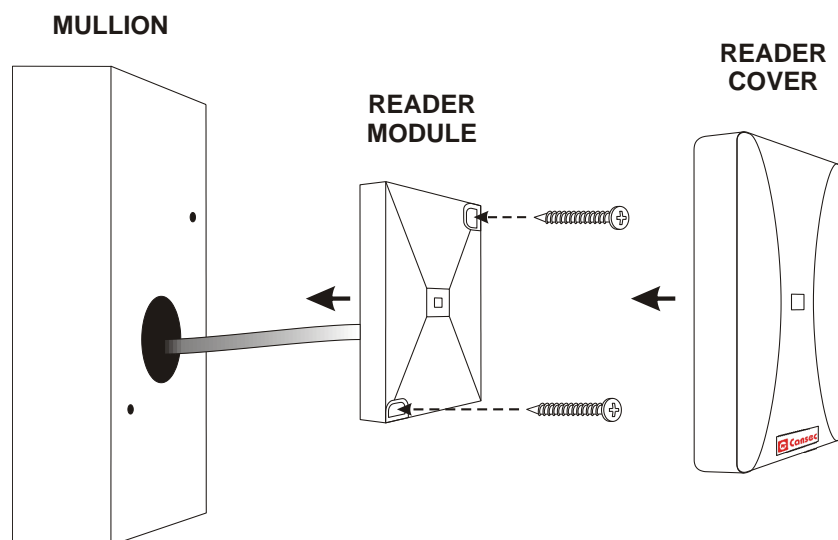


Mullion Mounting

1. The drawing on the right shows the respective locations of each hole and their specific sizes for mounting the reader module. Drill these holes accordingly. For the screw holes, drill an appropriate pilot hole for the screws you intend to use.

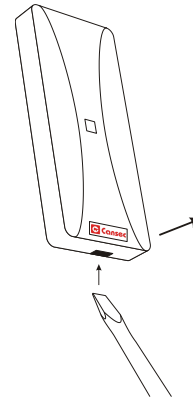


2. Wire the CanProx P300 reader module to the access control panel. Screw the reader module to the mullion.
3. Snap the reader cover on.



Removing the Reader Cover

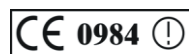
1. Insert a slotted screwdriver into the slot located at the bottom of the reader cover.
2. Gently pry the reader cover off.



Troubleshooting

PROBLEM	POSSIBLE CAUSE	CORRECTIVE ACTION
The reader does not recognize a card/tag (no beep, no LED flash).	1. One or more of the readers' wiring connections are incorrect.	Power down the reader/access panel and check that your wiring is correct.
	2. The reader is not receiving proper power from the access panel.	Measure the voltage at the reader. It should be between +5 VDC and +14 VDC.
	3. The reader is mounted too close to a device that radiates electromagnetic interference.	If possible, install the reader in a different location or move any other electronic devices away from the reader.
	4. You are using an incorrect type of card.	Make sure you are using an access card that is compatible with the reader.
The reader has a short read range.	1. The connection of the reader's shield wire has opened somewhere.	Check the shield line for open connections. Make sure it is properly connected to the access panel.
	2. The reader is mounted too close to a device that radiates electromagnetic interference.	If possible, install the reader in a different location or move any other electronic devices away from the reader.
	3. The power supply is generating electromagnetic interference.	The power supply on the access panel must be a regulated, linear supply. Switching supplies are often sources of electromagnetic interference.

CanProx One is compliant with the following organizations:



FCC compliance statement: This device complies with part 15 of the FCC rules. Operation is subject to the following two conditions:

- (1) This device may not cause harmful interference; and
- (2) This device must accept any interference received, including interference that may cause undesired operation.